



Module

Splitter Series

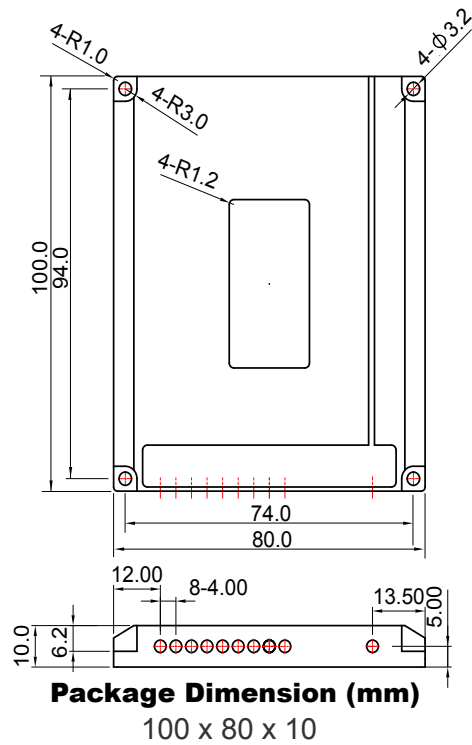
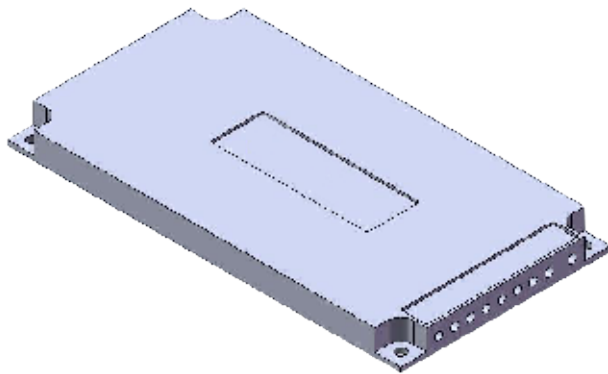
Splitter (1x2 up to 1x32)

Features :

- ◆ Low Insertion Loss
- ◆ High Directivity
- ◆ Easy Installation of LGX box for 19" & 23" Rack
- ◆ High Quality Box designs
- ◆ Customer specified splitting ratios available
- ◆ Comply with Telcordia reliability requirements
- ◆ Multimode available

Applications :

- ◆ PON solutions
- ◆ CATV
- ◆ Local Area Network
- ◆ Fiber Amplifier System
- ◆ Testing Instruments
- ◆ Telecommunication Systems



Performance Specification

Single Mode Splitter

	1x4	1x8	1x16	1x32
Insertion Loss	7.2	10.8	14.4	18.5
Uniformity	1.2	2.0	2.5	3.5
Polarization Sensitivity(dB)	0.25	0.5	0.6	0.8
Package Dimension	100x80x10	100x80x10	150x100x8	150x100x8

Multi-Mode Splitter

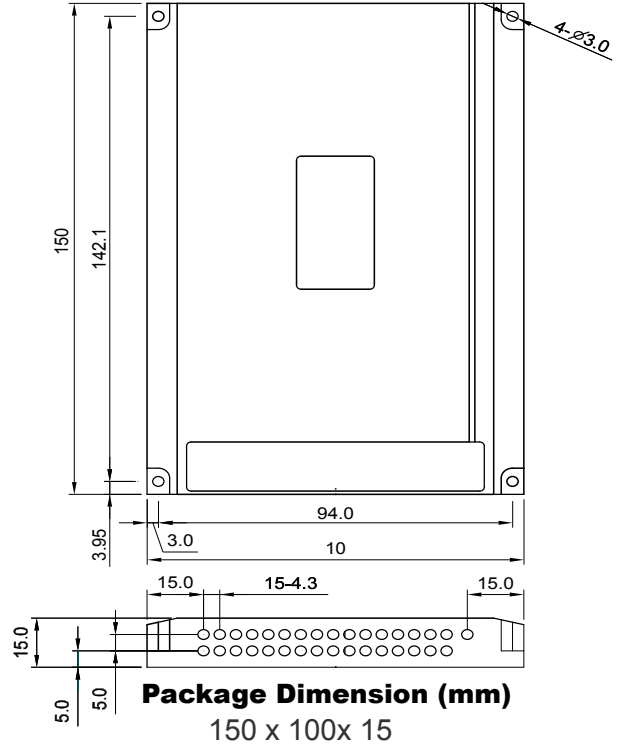
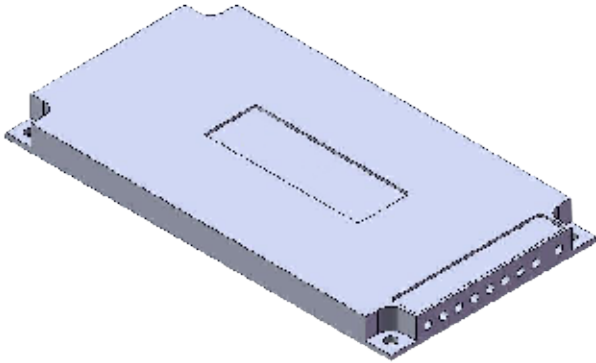
	1x4	1x8	1x16	1x32
Insertion Loss	8.0	11.5	15.5	19.0
Uniformity	1.0	1.5	3.0	4.5
Polarization Sensitivity(dB)	1.5	2.0	2.5	3.0
Package Dimension	100x80x10	100x80x10	150x100x8	150x100x8



Module

Splitter Series

Splitter (1x2 up to 1x32)



Performance Specification

Specifications(Single Mode)

Wavelength	1310nm and/or 1550nm
Bandwidth	±40nm
Operating Temperature	-40°C to +85°C
Storage Temperature	-40°C to +85°C
Directivity	≥55dB
Return Loss	≥55dB

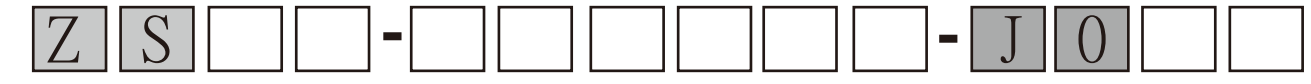
*Insertion loss and return loss will change depending on connector type
* The detail specifications will be released according to splitting ratios and port configurations.

Specifications(Multi Mode)

Wavelength	850nm and/or 1300nm
Operating Temperature	-40°C to +85°C
Storage Temperature	-40°C to +85°C
Directivity	≥40dB
Return Loss	≥40dB

*Insertion loss and return loss will change depending on connector type
* The detail specifications will be released according to splitting ratios and port configurations.

Ordering Information



Input
1=1xN
2=2xN

Output
2=Nx2
3=Nx3
4=Nx4
.
.
.
32=Nx32

Coupling Ratio
50=50/50
.
.
.
01=1/99

Fiber Type
0=other
1=bare fiber
2=900um
3=1.8mm
4=2.0mm
5=2.4mm
6=3.0mm

Wave Length
A=1310nm
B=1550nm
D=1310nm and 1550nm
0=Special

Fiber Length
001=0.1M
010=1.0M
100=10.0M

Grade
A=Ultra
P=Premium
S=Standard
0=Other

Connector Type

FP=FC/PC	MP=MU/PC
FA=FC/APC(CONE)	MC=MU/APC(CONE)
FS=FC/APC(STEP)	MS=MU/APC(STEP)
SP=SC/PC	LP=LC/PC
SC=SC/APC(CONE)	LA=LC/APC(CONE)
SS=SC/APC(STEP)	LS=LC/APC(STEP)
TP=ST/PC	DP=DN/PC
TC=ST/APC(CONE)	DC=DN/APC(CONE)
TS=ST/APC(STEP)	DS=DN/APC(STEP)